

ZA-CH1

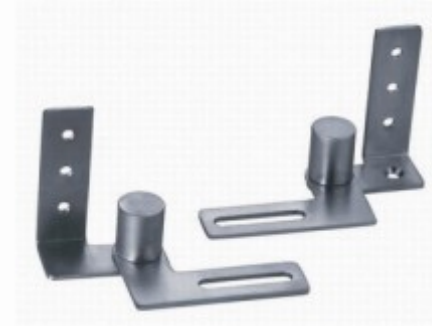


SIZE(LxWxT)

- 13x44.5
- 13x60
- 16x70
- 19x95
- 25x117.5
- 28.5x117.5
- 35x140

zinc alloy conceal hinge

SSH-T1



SIZE(LxWxT)

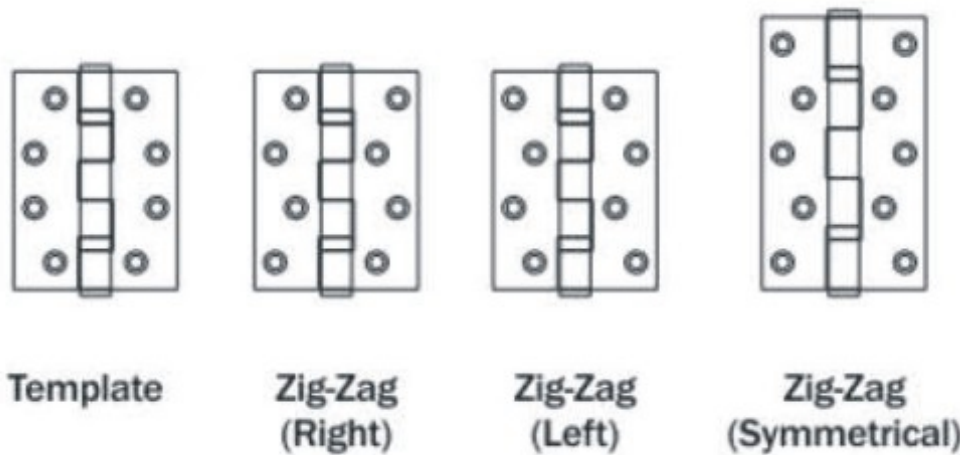
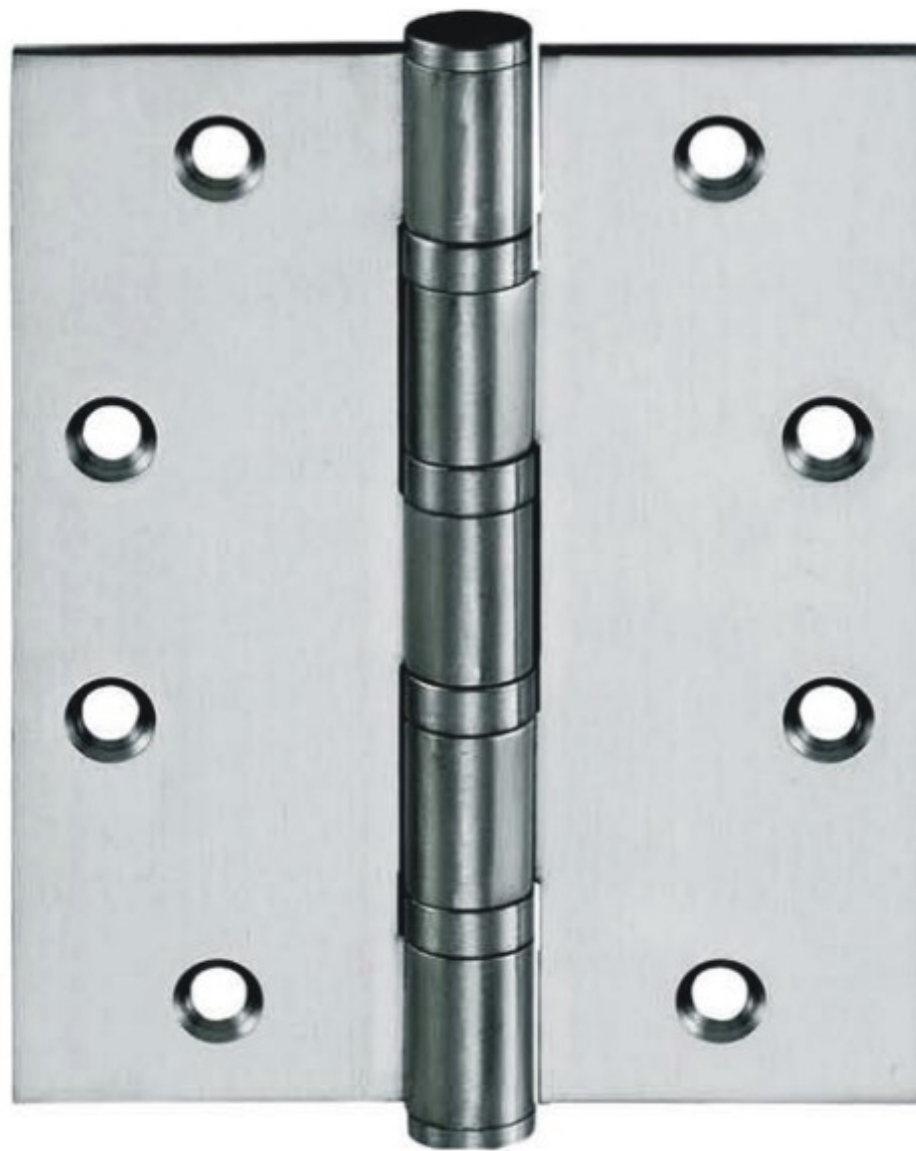
turning hinge

SSH-T2



SIZE(LxWxT)

100X32X2 MM



Template

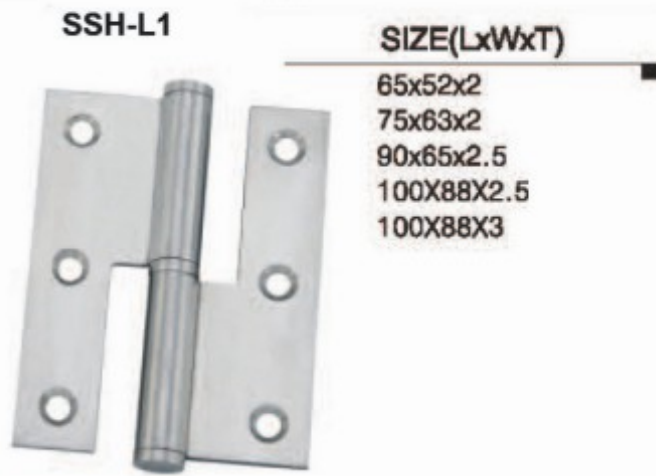
Zig-Zag
(Right)

Zig-Zag
(Left)

Zig-Zag
(Symmetrical)

recommendation: 3 pieces per door
 2.0mm hinges: 25-40kgs per door
 2.5mm hinges: 40-60kgs per door
 3.0mm hinges: 60-80kgs per door
 3.5mm hinges: 80-1200kgs per door
 4.0mm hinges: 120-150kgs per door

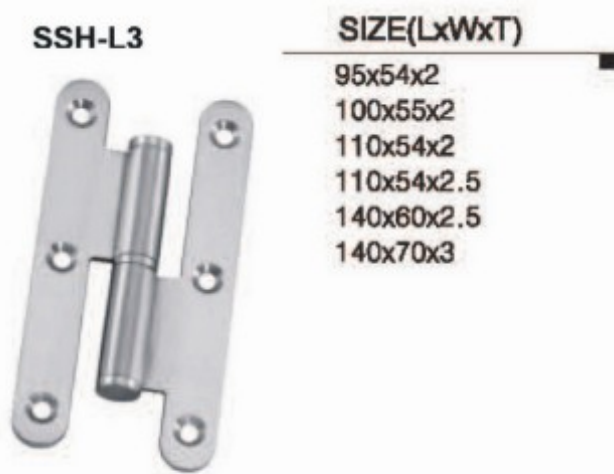
Model	L	W	T
SSH302020-PN	3"	2"	2.0
SSH302520-PN	3"	2.5"	2.0
SSH303020-PN	3"	3"	2.0
SSH403020-PN	4"	3"	2.0
SSH403025-PN	4"	3"	2.5
SSH302520-2BB	3"	2.5"	2.0
SSH403020-2BB	4"	3"	2.0
SSH403025-2BB	4"	3"	2.5
SSH403030-2BB	4"	3"	3.0
SSH404030-2BB	4"	4"	3.0
SSH503030-2BB	5"	3"	3.0
SSH503530-2BB	5"	3.5"	3.0
SSH403030-4BB	4"	3"	3.0
SSH404030-4BB	4"	4"	3.0
SSH503030-4BB	5"	3"	3.0
SSH503530-4BB	5"	3.5"	3.0
SSH504030-4BB	5"	4"	3.0



stainless steel lift off hinge



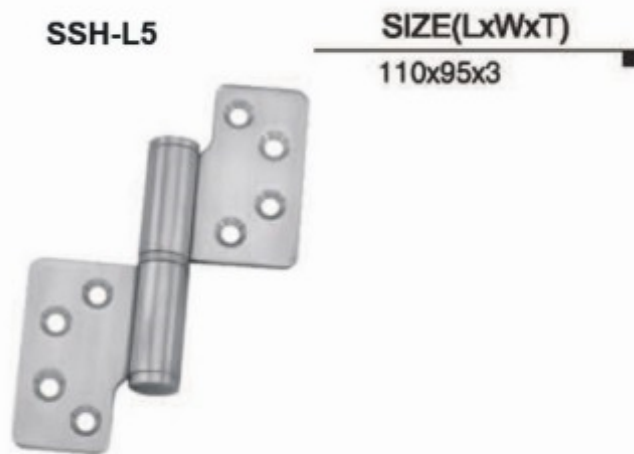
stainless steel lift off hinge



stainless steel lift off hinge



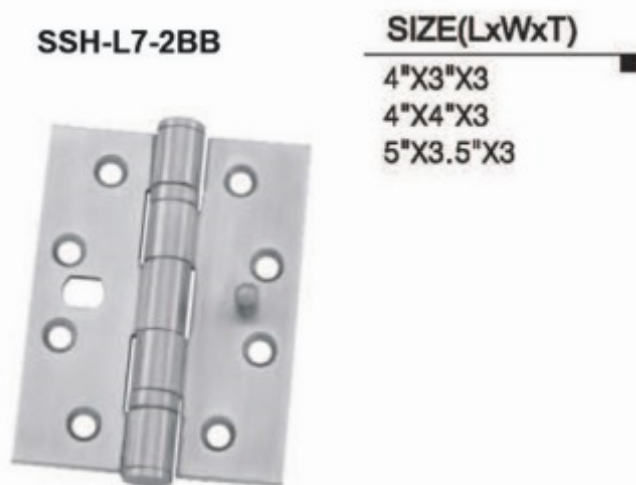
stainless steel lift off hinge



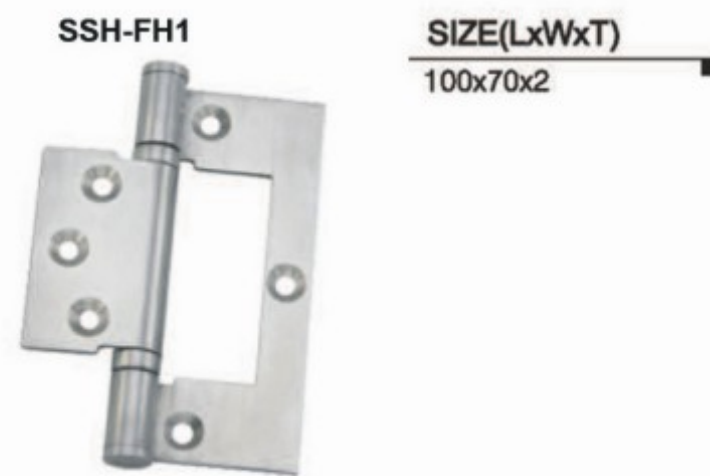
stainless steel lift off hinge



stainless steel rising hinge



stainless steel security pin hinge



stainless steel flush hinge

SSH-SAS1



SIZE(LxWxT)

4"
5"
6"

stainless steel single action spring hinge

SSH-DAS1



SIZE(LxWxT)

4"
5"
6"

stainless steel double action spring hinge

SSH-SAS2



SIZE(LxWxT)

4"x4"x3"

stainless steel single action spring hinge

SSH-SAS3



SIZE(LxWxT)

3.5" X 2.5" X3

stainless steel single action spring hinge

SSH-SAS4



SIZE(LxWxT)

stainless steel single action spring hinge

SSH-SAS5



SIZE(LxWxT)

stainless steel single action spring hinge

ZA-CH1



SIZE(LxWxT)

23x95
23x95

3D adjustable invisible hinge

ZA-CH3



SIZE(LxWxT)

29x116
29x116

3D adjustable invisible hinge